

March 2007

Switching to a New Satellite Frequency – CSI DGPS MAX

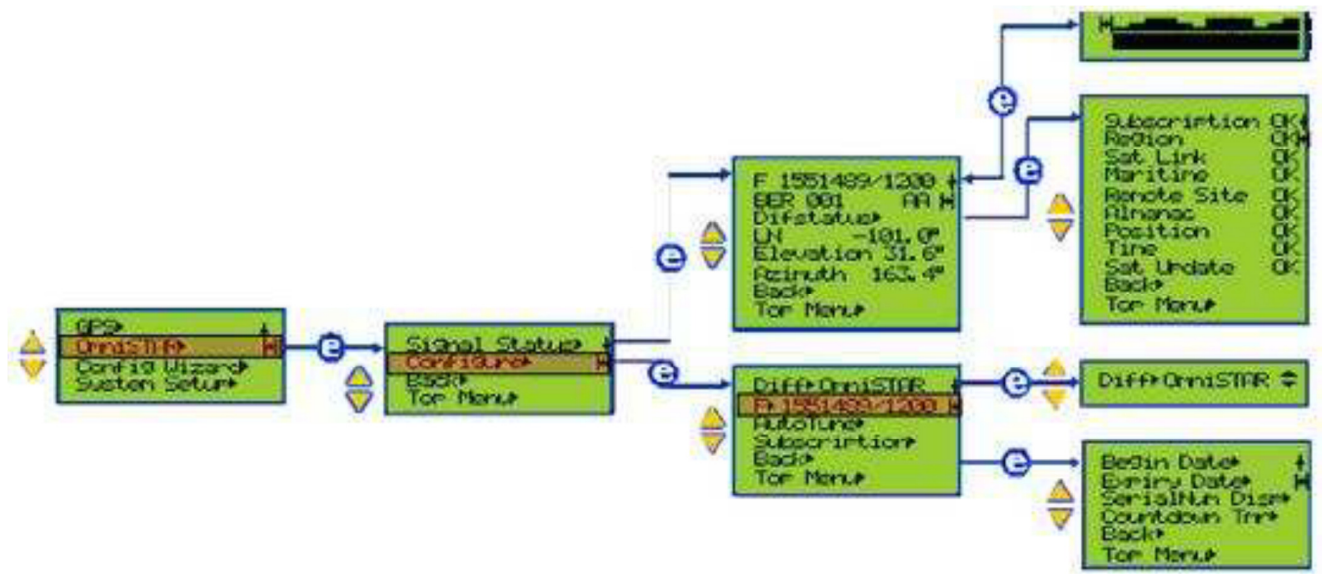
We recommend that if possible you also take the opportunity to upgrade your receiver to the latest version of firmware currently Omni_4.8.

You should contact your supplier with regard to the upgrade procedure and OmniSTAR to re-subscribe your receiver after a firmware upgrade

Procedure to switch the OmniSTAR satellite frequency using the Menu:

Please make sure your antenna is in clear view of the sky.

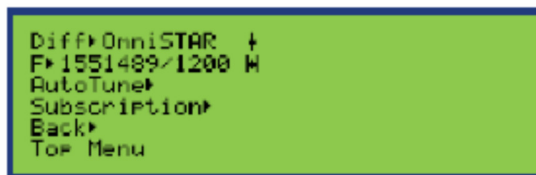
The below diagram illustrates the route to change the frequency.



1. On the menu screen, use the **UP** and **DOWN** buttons to highlight the “OmniSTAR” menu item. Press the **E** (ENTER) button to move to the next step.
2. Use the **UP** and **DOWN** buttons to arrive at the “configuration” screen. Press the **E**
3. (ENTER) button to move to the next step.

This document is for informational purposes only and is not a legally binding agreement or offer. Trimble makes no warranties and assumes no obligations or liabilities hereunder.

4. Use the **UP** and **DOWN** buttons to select “frequency”. Press the **E** (ENTER) button to move to the next step.
5. A screen will ask you to confirm that you wish to proceed with the manual frequency change. Use the **UP** and **DOWN** buttons to say “YES”. Press the **E** (ENTER) button to move to the next step.
6. At this step you will be prompted to enter the new frequency. Press the **UP** and **DOWN** buttons to change the frequency.
7. You will then be prompted to select the correct modulation rate. Adjust to the correct modulation rate using the **UP** and **DOWN** buttons and press the **E** (ENTER) button to complete the process.
8. Use the **UP** and **DOWN** buttons to select the “back” menu item. Similar to the screen shown below.



9. Check that the frequency is displayed as F <satellite_frequency>/<baud_rate>, and the BER is 000 – 0004.
10. When the new frequency is correct please call OmniSTAR to activate your receiver to the new frequency while the unit is powered on and has a clear view of the sky.

Please note: your signal will not work until you call OmniSTAR to activate it.

To change the OmniSTAR satellite frequency via the SLXmon program:

Connect the command cable with the label command to the COM1 of the computer

1. Select File menu item, followed by Connect, set the correct PC COM port, the default baud setting is 19200.
2. Select Control menu, followed by View Command page.
3. In the Message to SLX window type **\$JFREQ,<satellite frequency>,<baud rate>** and press *Send* (the message format is \$JFREQ<frequency in KHz.><link baud rate>.) |
4. Then in the Message to SLX window type **\$JSAVE** and press SEND.